

  
Made in Italy



# CORMIDI



## C55

ENGINE 5,8 HP - PETROL

OPERATIVE CAPACITY 550 KG



# CORMIDI

### Parking brake

the lever operates the brake that locks the minidumper.

### Antacid stickers

Durable over time, weatherproof and resistant to common acids.



### Galvanised screws

The galvanised screws prevent the formation of rust and deterioration.

### Towing lever

Ergonomic, with an easy-to-use handle with rubber capsules

### 2 speeds

The C55 is equipped as standard with double speed.

### Accelerator control

The C55 is equipped with an accelerator lever, with which it is possible to choose the travel speed

### Cover in Abs

The dashboard is created with an Abs thermoformed cover, with a unique design.

### Dashboard

The driver's seat includes: Travel levers, Body and arm levers depending on the version, Brake and accelerator.

### Side casings in Abs

With a refined design, that add personality and originality to the C55.

### Reinforced body

The body, reinforced with rounded corners is used to fully unload any material. Roomy, with a tipping angle of up to 79°.

### Driving handle

Protect your hands from buckets, with its side partitions, while the body is being loaded; It allows the driver to drive while being firmly anchored to the machine.

### Document-holder

Resealable and waterproof, essential to store documents

### Air filter

Accessible in men not to mentino quick and easy to clean

### Steel hooks

The hooks are used to attach the C55 during transportation or to lift it as they are adjustable.

### Oscillating rollers

4 oscillating rollers as standard greasable. They increase stability on highly uneven terrain.

### Foldable platform

Cushioned and reclosable designed to support the weigh of a sturdy strong man.

### Easy oil control

The oil rod is used to immediately check the level of oil present in the heat engine.

### Radiator with electric fan

The electric fan cools the hydraulic oil ensuring above average performance.

### Cast wheels

Cast construction ensuring long life and less maintenance.



# The advantages



# C55

## Self-loading

Anchored to the body, moved by two Hydraulic pistons.

## Body

The raised body is used to unload at height.

## Bucket

"Fixed" type  
Very useful for self-loading of the dumper body.

## Easy access

Easy access  
Removing the metal casing metal, the technician has immediate access to the linkage mechanism.

## Special color for the chassis

The C55 is painted with a suitably manufactured embossed opaque colouring.

## Cushioned platform

The platform guarantees pleasant driving, being equipped with a system that reduces vibrations.

## Hi-Tip arm

The robust mechanism is used to lift the container to a height of 154 cm to the pin.

## Safety supports

Red, they are used to lock the hydraulic pistons when they are extended in order to be able to perform all maintenance operations in perfect safety.

## Tow hitch

On the front of the undercarriage is the tow hitch.

## Air intakes

On the sides are various screens that allow ventilation of the engine compartment and therefore always keeping the engine efficient.

## Track support

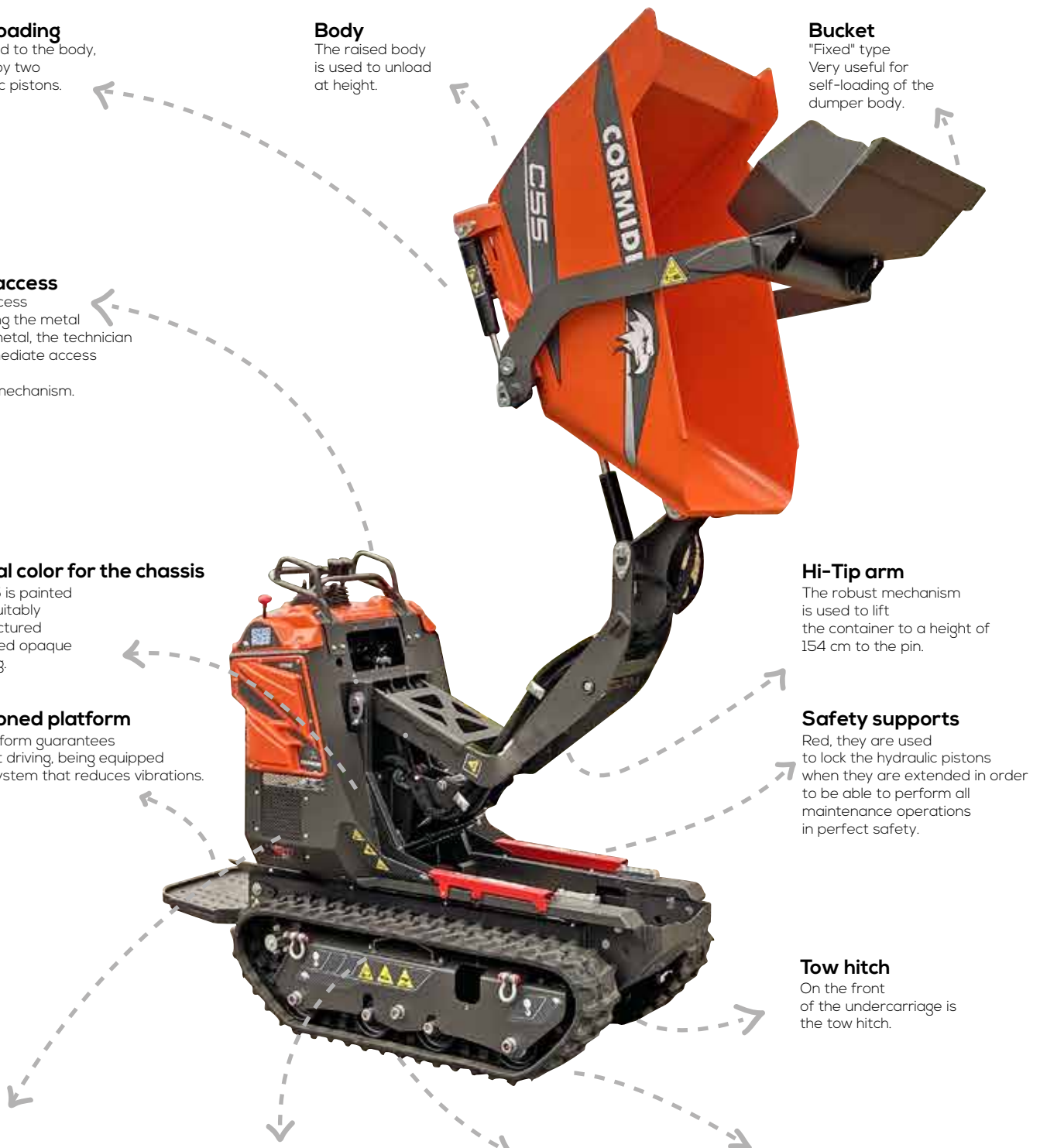
It holds and stabilises sliding of the track. Present on both the sides.

## Rubber tracks

Exclusive, Cormidi-branded. Specific for the C55.

## Undercarriage greasing

All the wheels and rollers they are greasable. This ensures long life over time and greater performance.





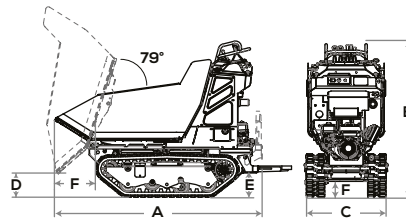


	METRIC   U.S.	RI	AC	HI	HIAC
<b>ENGINE</b> Petrol	Honda GX 200 5.8 hp	●	●	●	●
<b>TRASMISSIONE</b> Type Hydraulic pump	Hydrostatic with gears	●	●	●	●
<b>TRACKED UNDERCARRIAGE</b> Track width Oscillating rollers	180 mm (7.1 in) 4	●	●	●	●
<b>HYDRAULIC SYSTEM</b> Hydraulic pump Standard flow	Oil radiator with electric fan no. 3 with double speed gears 34 lt/min (8.98 gpm) 210 bar	●	●	●	●
<b>PERFORMANCES AND DIMENSIONS</b> Maximum speed Operational capacity	2,9 Km/h (1.80 mph) 550 kg (1212.54 lb)	●	●	●	●
Dry weight	458 kg (1009.8 lb)	●			
	501 kg (1104.5 lb)		●		
	547 kg (1205.9 lb)			●	
	623 kg (1373.5 lb)				●

## RI



**HEAPED SAE**  
**0,28 m<sup>3</sup>**

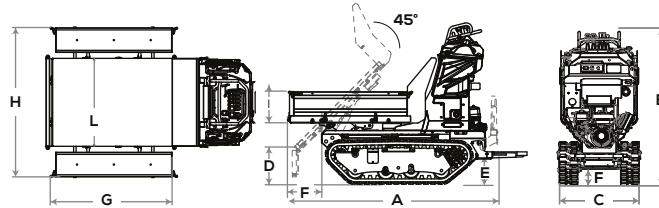


	mm	in
A	1760	69.3
B	1388	54.6
C	716	28.2
D	210	8.3
E	200	7.9
F	140	5.5

## RIA



**HEAPED SAE**  
**0,21 m<sup>3</sup>**

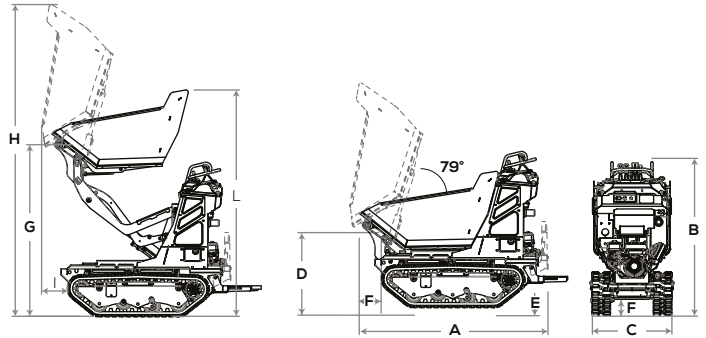


	mm	in
A	1751	68.9
B	1388	54.6
C	716	28.2
D	315	12.4
E	200	7.9
F	140	5.5
G	980	38.6
H	1213	47.8
I	261	10.3
L	716	28.2

## HI



**HEAPED SAE**  
**0,30 m<sup>3</sup>**

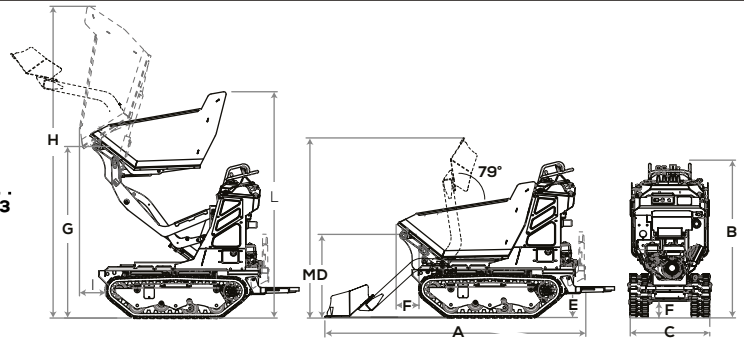


	mm	in
A	1670	65.8
B	1388	54.6
C	716	28.2
D	730	28.7
E	200	7.9
F	140	5.5
G	1540	60.6
H	2800	110.2
I	214	8.4
L	2033	80.0

## HIAC



**HEAPED SAE**  
**0,30 m<sup>3</sup>**

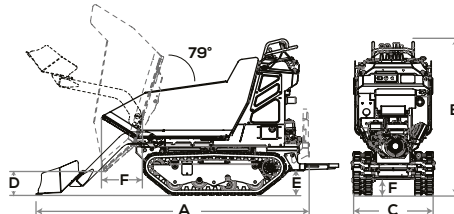


	mm	in
A	2300	90.6
B	1388	54.6
C	756	29.8
D	730	28.7
E	200	7.9
F	140	5.5
G	1540	60.6
H	2800	110.2
I	214	8.4
L	2033	80.0
M	1528	60.2

## AC



**HEAPED SAE**  
**0,28 m<sup>3</sup>**



	mm	in
A	2300	90.6
B	1388	54.6
C	756	29.8
D	210	8.3
E	200	7.9
F	140	5.5

The machines and accessories in this brochure are not binding for Cormidi srl. They may change from one version to another. Cormidi reserves the right to make changes without notice. As such, the models and accessories indicated in the following brochure are only indicative.